



Security Tech MOK

MOK[®]
SECURITY TECH MOK





Material , Body / Shackle:304 stainless steel .



Highly corrosion resistant due to stainless steel .



Highly corrosion resistant due to surface protection



Does no contain springs or pins that can jam for higher security and longer usage



Shackle Guard: shackle access restricted protecting shackle from attack



Original MOK-Plus disc cylinder highest precision, highest security



Spare keys are made only upon presentation of Code Card



Drill protection: cylinder is protected against drilling and leverage



Double bolted: both sides of the shackle are secured by bolts or balls -increased protection against attacks and manipulation



Available keyed alike (several locks with the same key)



High quality top security padlock the right material,design and production methods make MOK padlocks a better choice in harsh conditions



Available master keyed (one key opens many different locks)



Bolt cutter attack resistant.



Cylinder is protected against tampering.



4 Tonne pull resistant due to the quality materials and design



Saw attack resistant.



Hammer & impact attack resistant.



360°SPIN FREE cylinder , super B class , anti theft & ant-tamper





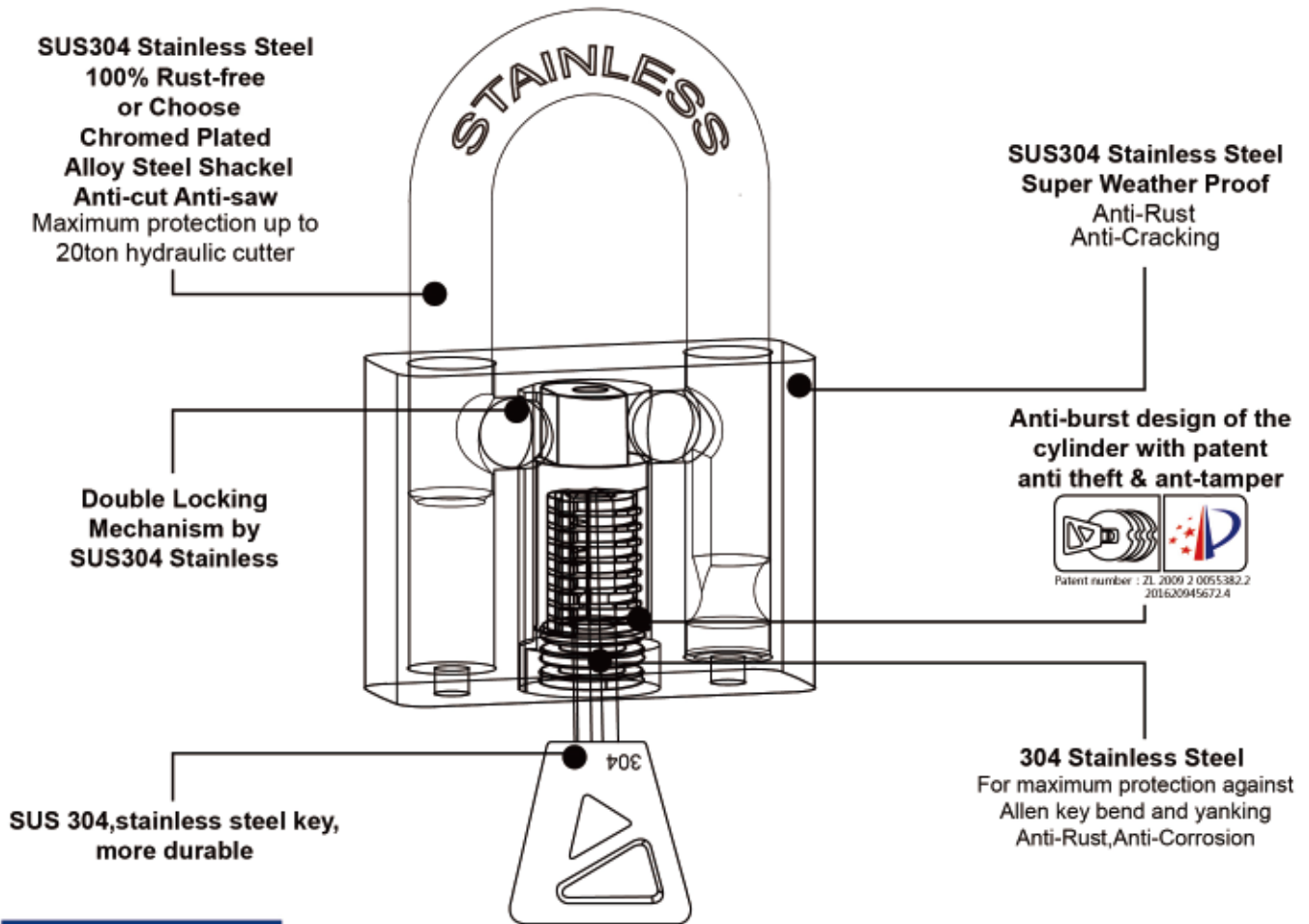
Features

- BS EN Grade 9, maximum security padlock
Steel padlock for maximum security, shackle withstands up to 21.000 ibs of pull strength
- Surface treatment applied using our unique superior protection against corrosion
Finish : Mirror polish, strip polish
- Does not contain parts such as springs or pins that can jam
- Equipped with a case hardened boron steel shackle

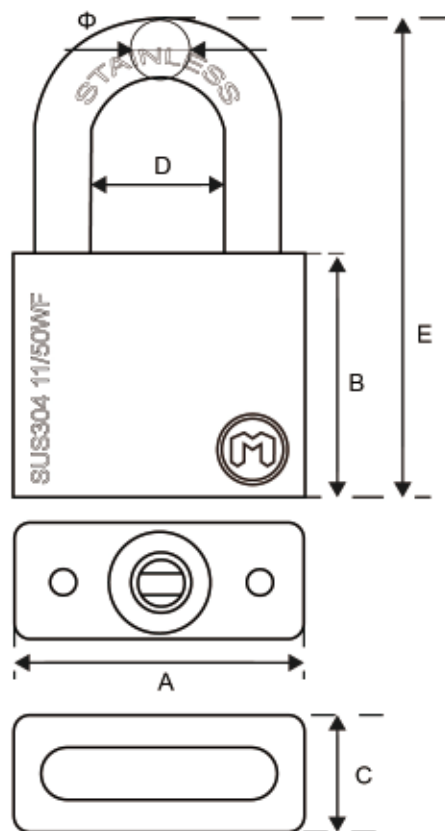


Need technical help ? www.moklock.com





Structure

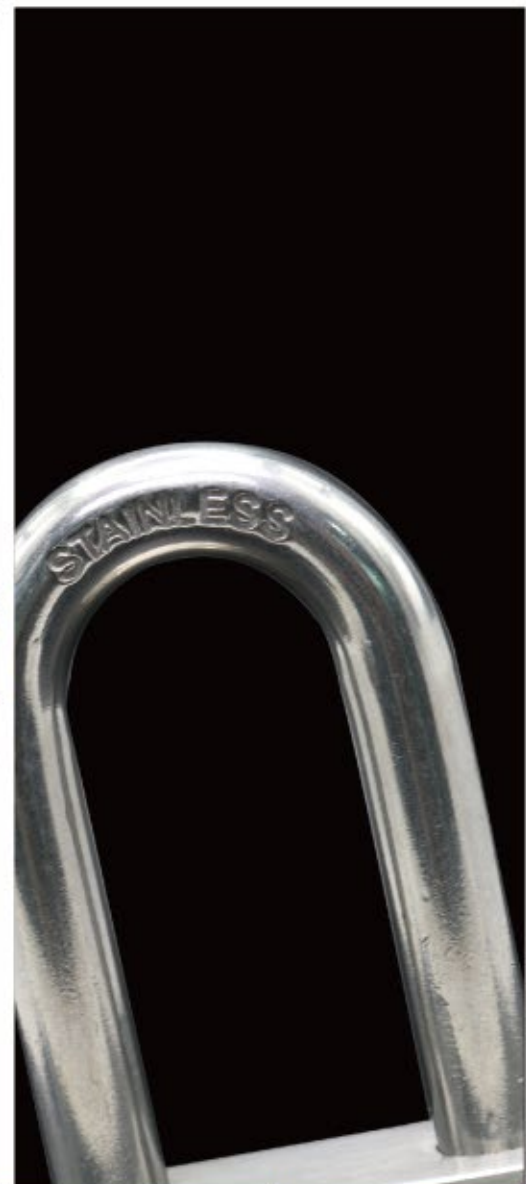


Applications

- For applications where the highest level of protection and security is required
- Suitable for military applications, train wagons, trucks, containers and heavy sliding doors
- Operates reliably in the most severe environments such as coastal locations, polluted atmospheres, and freezing conditions

Model	Body			Shackle		
	A	B	C	ϕ	D	E
11/30WF	32	30	20	5	17.5	53
11/40WF	40	32	20	7	20.5	66.5
11/50WF	50	38	20	10	23	77.5
11/60WF	60	45	20	12	25.8	93
11/70WF	70	50	22	14	31	101.5





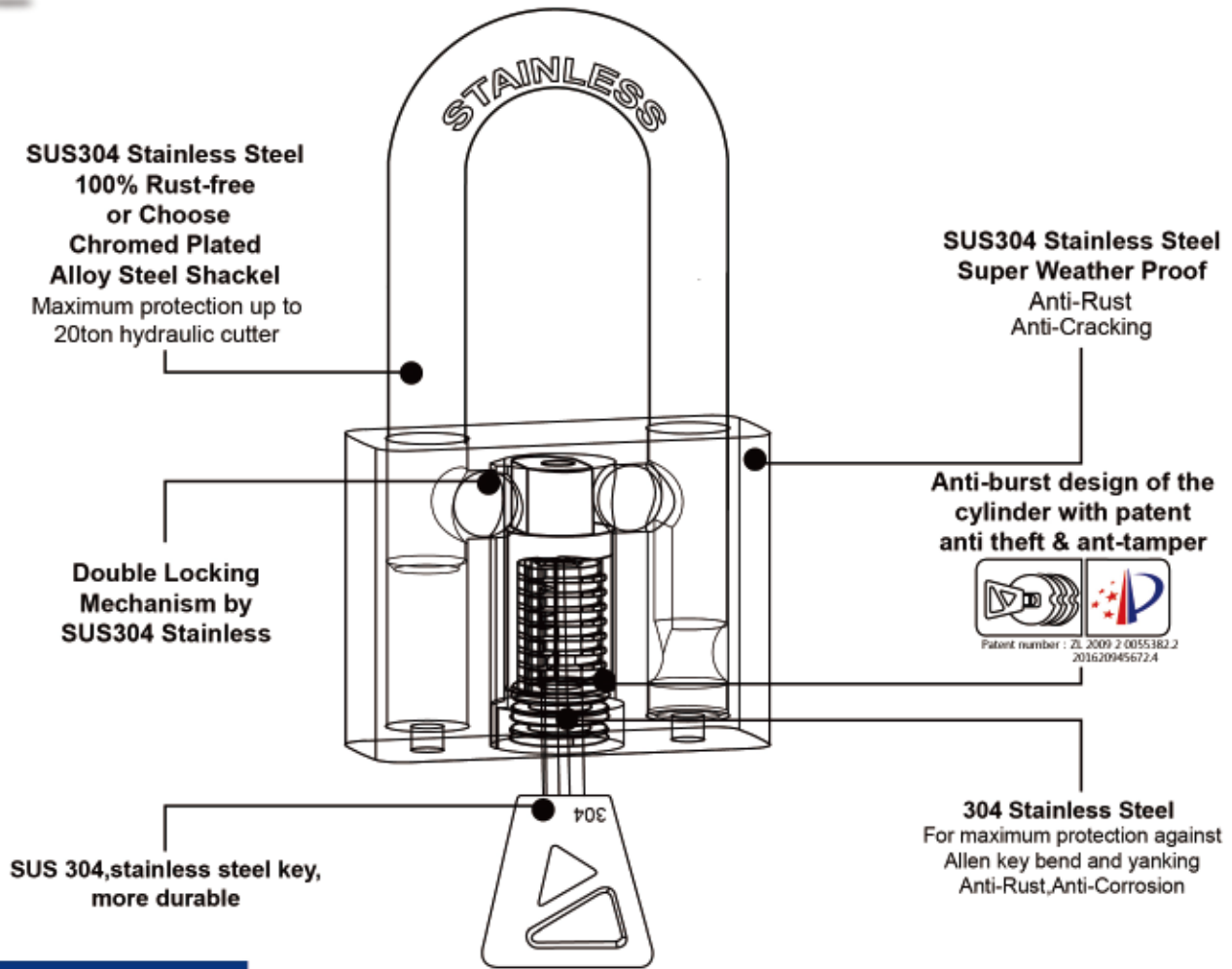
Features

- BS EN Grade 9, maximum security padlock
Steel padlock for maximum security, shackle withstands up to 21.000 ibs of pull strength
- Surface treatment applied using our unique superior protection against corrosion
Finish : Mirror polish, strip polish
- Does not contain parts such as springs or pins that can jam
- Equipped with a case hardened boron steel shackle

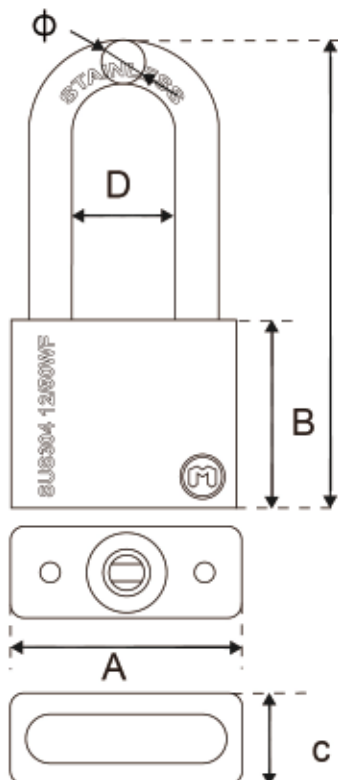


Need technical help ? www.moklock.com





Structure

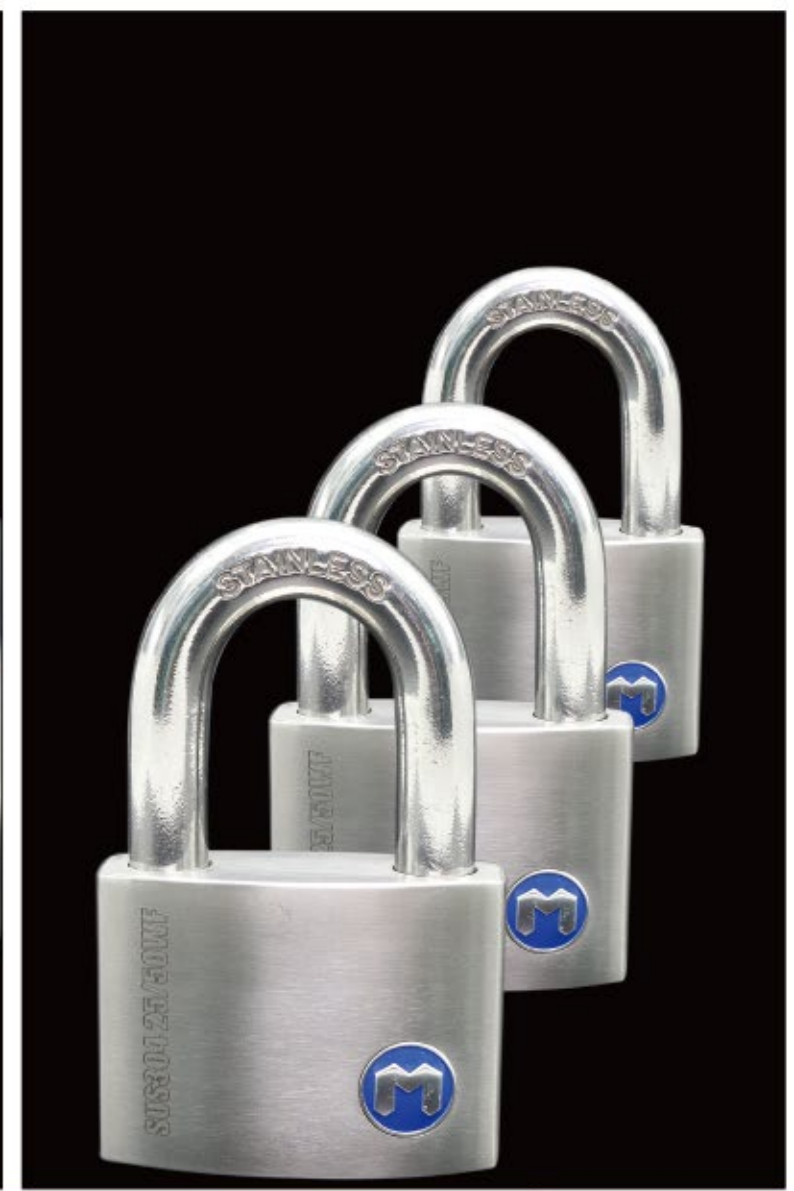


Applications

- For applications where the highest level of protection and security is required
- Suitable for military applications, train wagons, trucks, containers and heavy sliding doors
- Operates reliably in the most severe environments such as coastal locations, polluted atmospheres, and freezing conditions

Model	Body			Shackle		
	A	B	C	ϕ	D	E
12/30WF	32	30	19.5	5	17.5	75.5
12/40WF	40	32	19.5	7	20.5	85
12/50WF	50	38	19.5	10	23	100
12/60WF	60	45	19.5	12	25.8	109
12/70WF	70	50	22	14	31	121





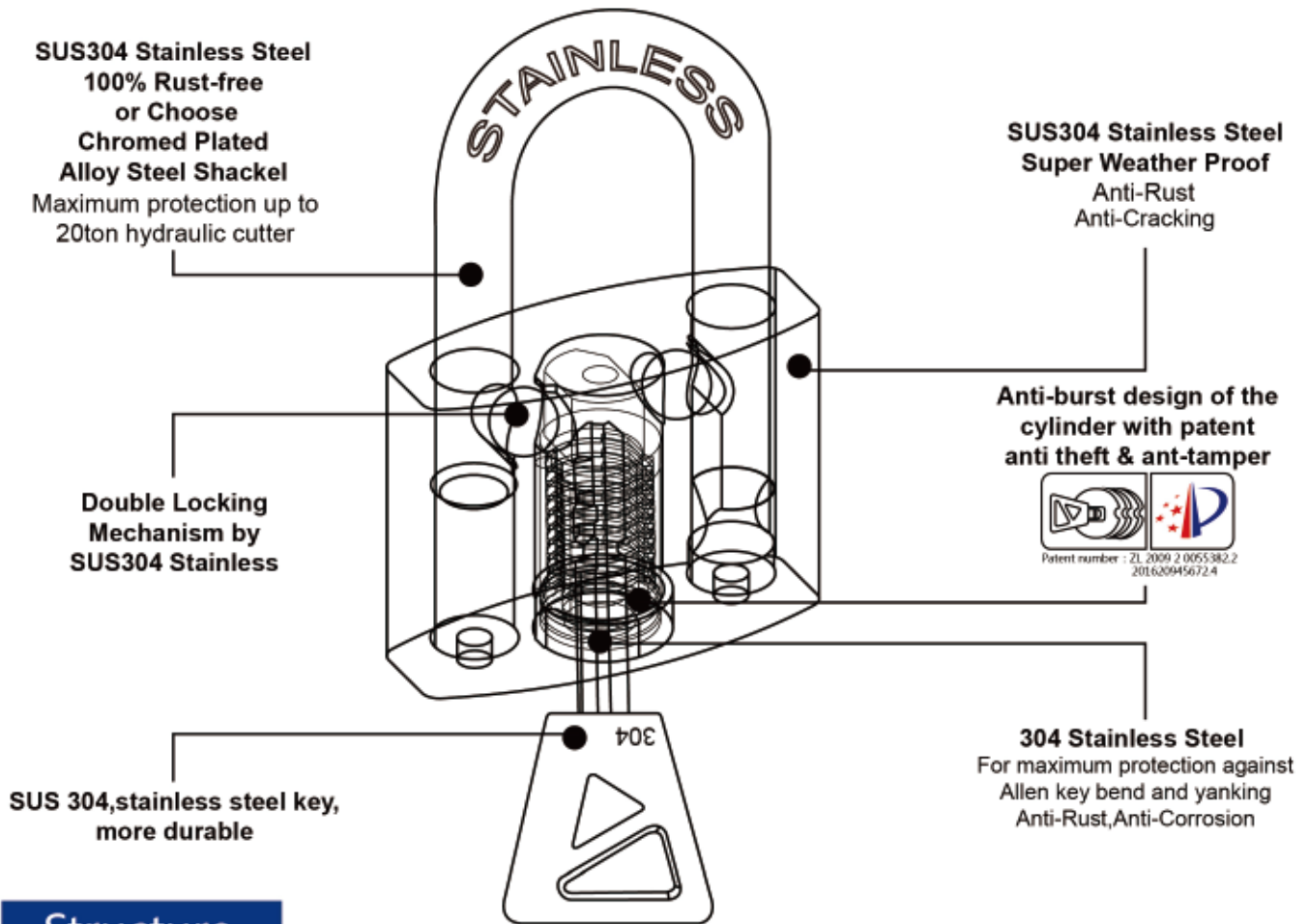
Features

- BS EN Grade 9, maximum security padlock
Steel padlock for maximum security , shackle withstands up to 21.000 lbs of pull strength
- Surface treatment applied using our unique superior protection against corrosion
Finish : Mirror polish , strip polish
- Does not contain parts such as springs or pins that can jam
- Equipped with a case hardened boron steel shackle

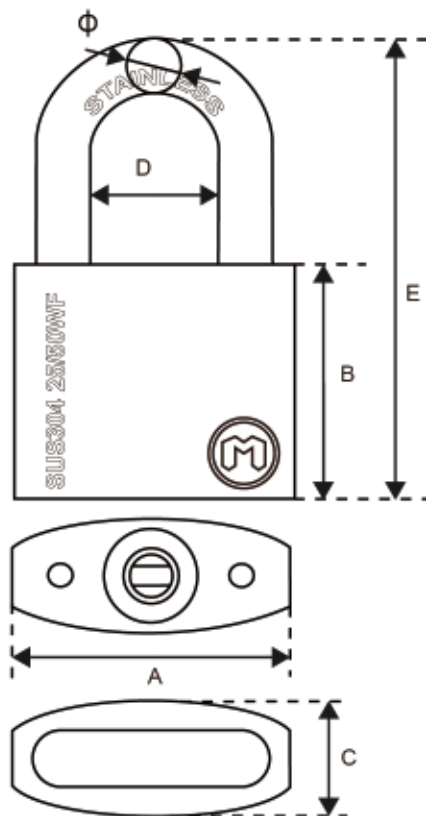


Need technical help ? www.moklock.com





Structure



Applications

- For applications where the highest level of protection and security is required
- Suitable for military applications, train wagons, trucks, containers and heavy sliding doors
- Operates reliably in the most severe environments such as coastal locations, polluted atmospheres, and freezing conditions

Model	Body			Shackle		
	A	B	C	ϕ	D	E
25/40WF	40	32	21	7	20.5	66.5
25/50WF	50	38	21	10	23	77.5
25/60WF	60	45	21	12	25.8	93
25/70WF	70	50	22	14	31	101.5





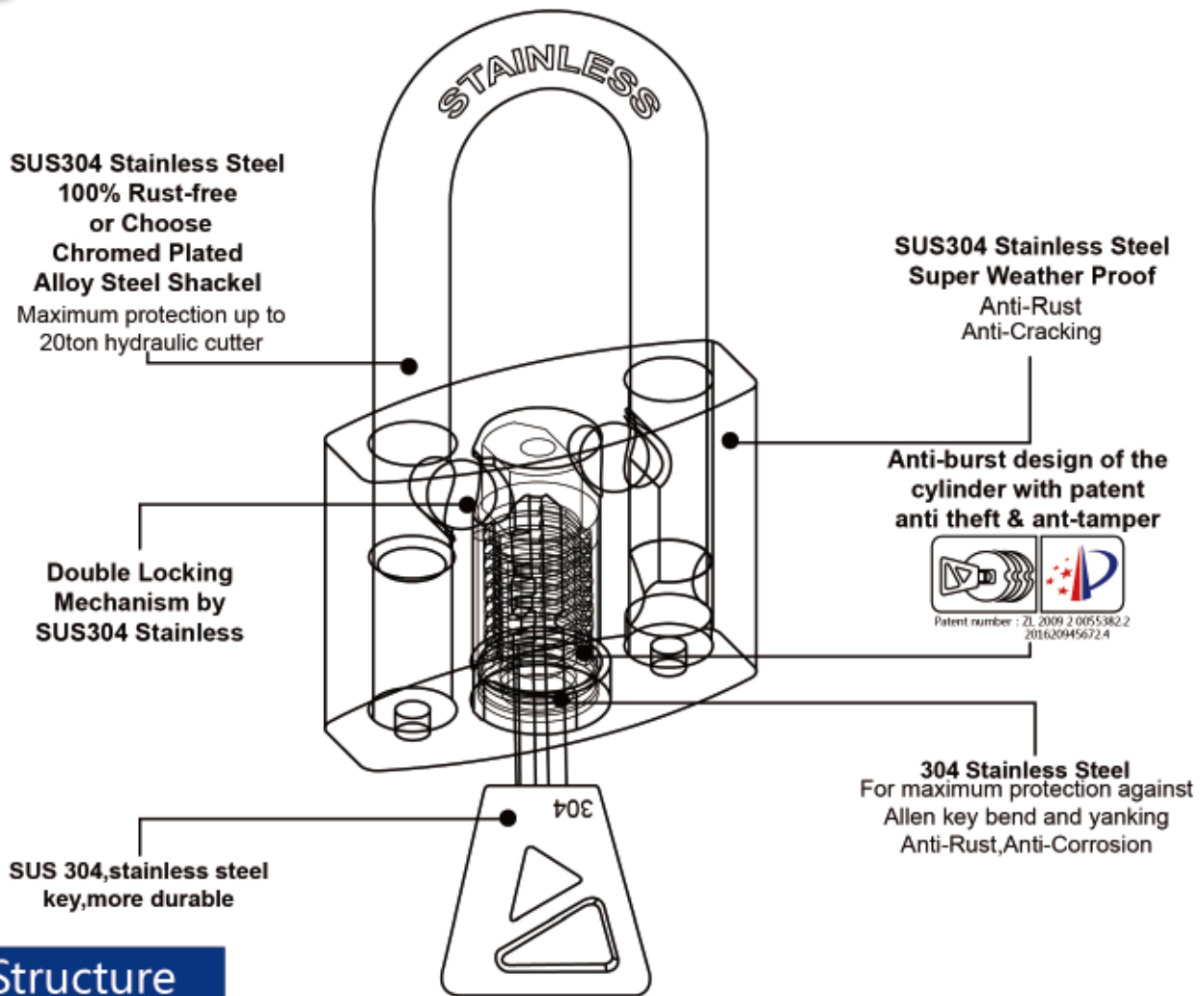
Features

- BS EN Grade 9, maximum security padlock
Steel padlock for maximum security, shackle withstands up to 21.000 ibs of pull strength
- Surface treatment applied using our unique superior protection against corrosion
Finish : Mirror polish, strip polish
- Does not contain parts such as springs or pins that can jam
- Equipped with a case hardened boron steel shackle

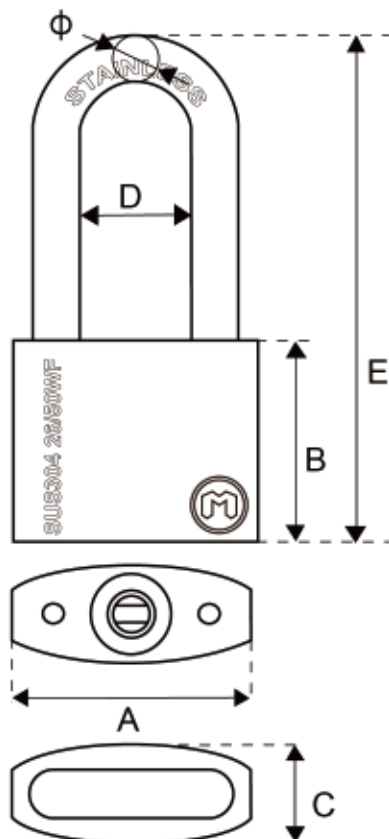


Need technical help ? www.moklock.com





Structure



Applications

- For applications where the highest level of protection and security is required
- Suitable for military applications, train wagons, trucks, containers and heavy sliding doors
- Operates reliably in the most severe environments such as coastal locations, polluted atmospheres, and freezing conditions

Model	Body			Shackle		
	A	B	C	ϕ	D	E
26/40WF	40	32	21	7	20.5	85
26/50WF	50	38	21	10	23	100
26/60WF	60	45	21	12	25.8	109
26/70WF	70	50	23	14	31	121





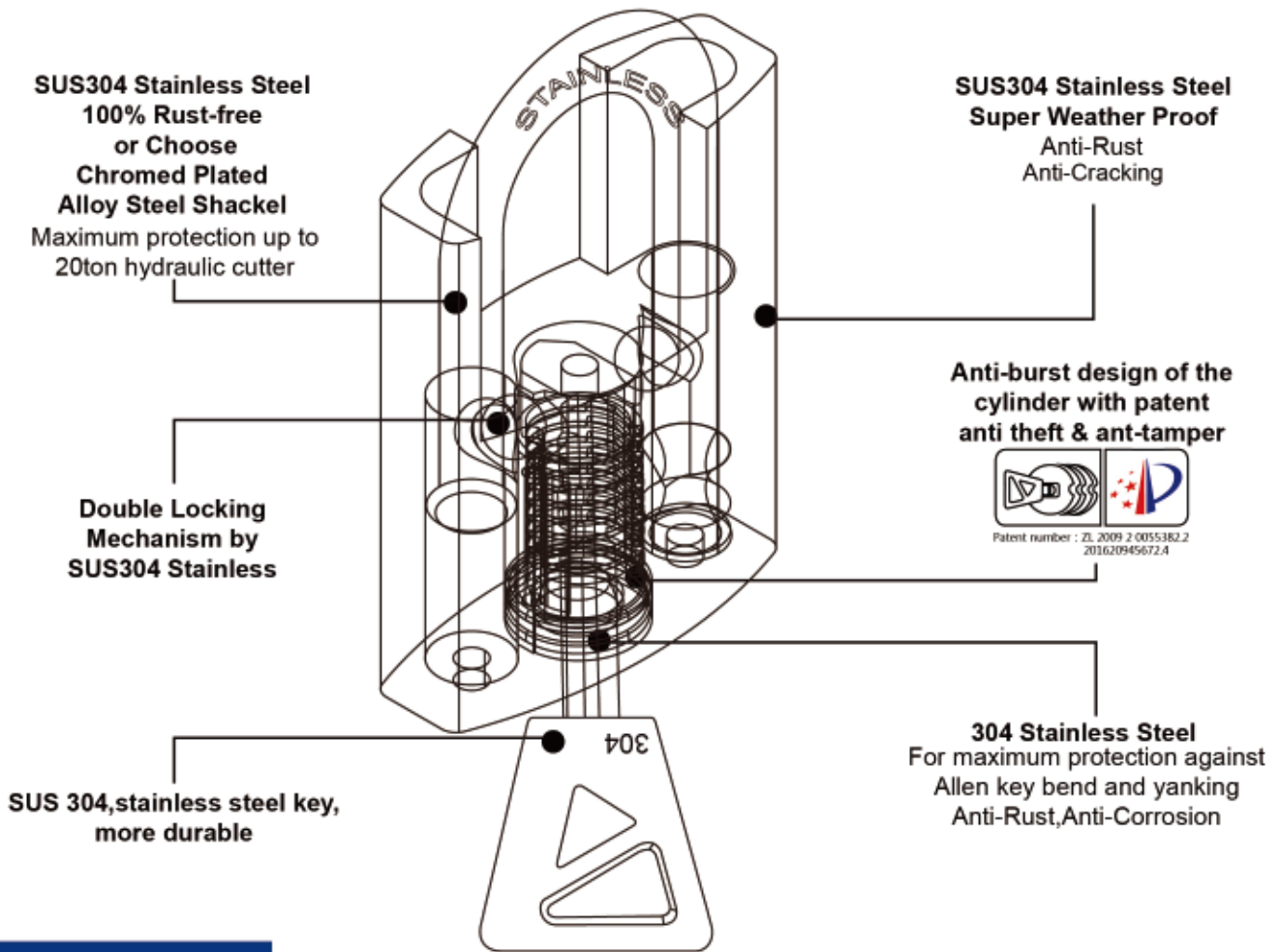
Features

- BS EN Grade 9, maximum security padlock
Steel padlock for maximum security, shackle withstands up to 21.000 lbs of pull strength
- Surface treatment applied using our unique superior protection against corrosion
Finish : Mirror polish, strip polish
- Does not contain parts such as springs or pins that can jam
- Equipped with a case hardened boron steel shackle

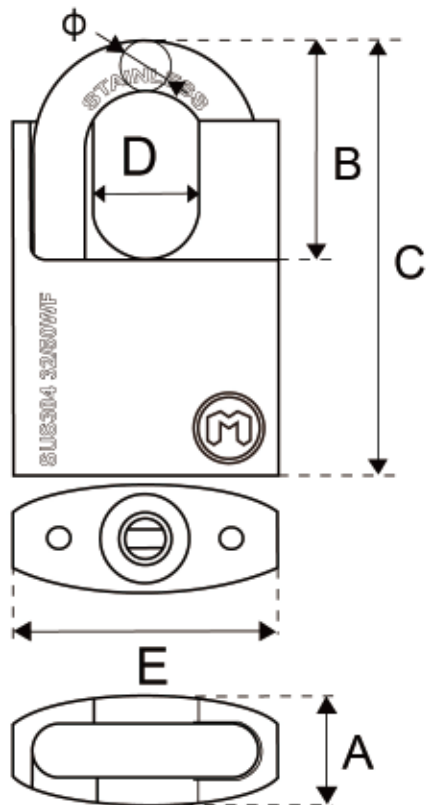


Need technical help ? www.moklock.com





Structure



Applications

- For applications where the highest level of protection and security is required
- Suitable for military applications, train wagons, trucks, containers and heavy sliding doors
- Operates reliably in the most severe environments such as coastal locations, polluted atmospheres, and freezing conditions

Model	Body			Shackle		
	A	B	C	ϕ	D	E
32/40WF	20	28	55	7	20.5	40
32/50WF	20	23	65	10	23	50
32/60WF	20	25.8	80	12	25.8	60
32/70WF	20	31	85	14	31	70





Features

- BS EN Grade 9, maximum security padlock
Steel padlock for maximum security, shackle withstands up to 21.000 lbs of pull strength
- Surface treatment applied using our unique superior protection against corrosion
Finish : Mirror polish, strip polish
- Does not contain parts such as springs or pins that can jam
- Equipped with a case hardened boron steel shackle



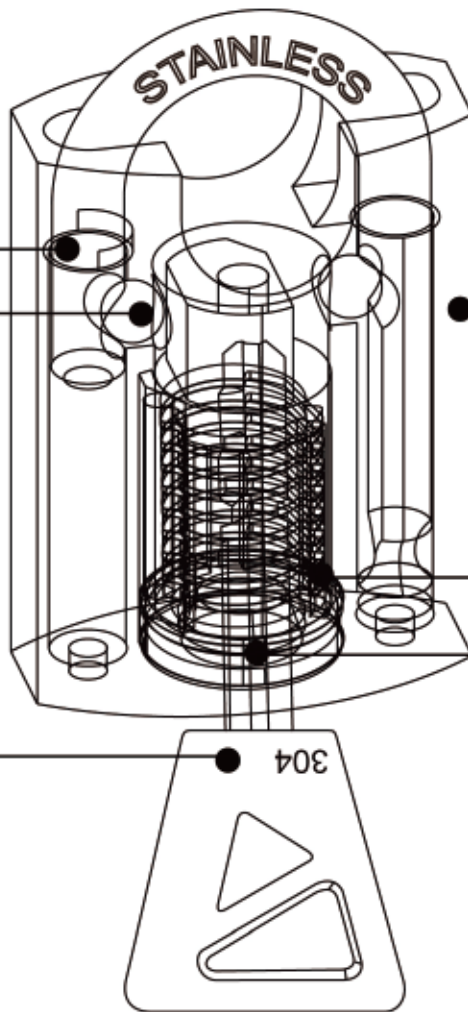
Need technical help ? www.moklock.com





SUS304 Stainless Steel
100% Rust-free
or Choose
Chromed Plated
Alloy Steel Shackle
Maximum protection up to
20ton hydraulic cutter

Double Locking
Mechanism by
SUS304 Stainless



SUS304 Stainless Steel
Super Weather Proof
Anti-Rust
Anti-Cracking

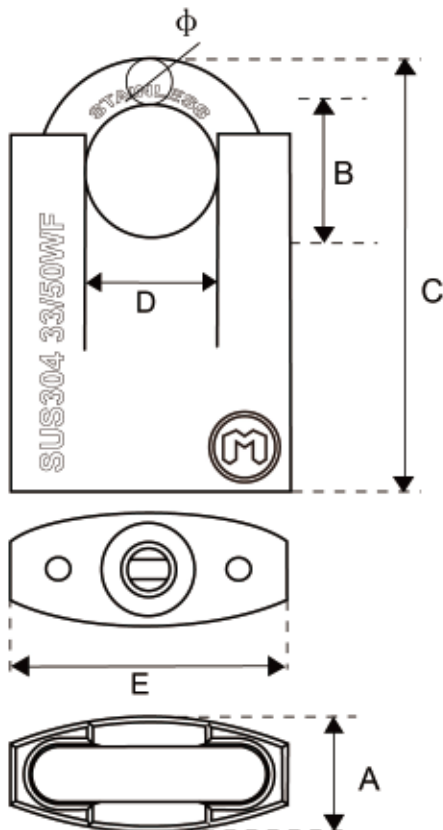
Anti-burst design of the
cylinder with patent
anti theft & ant-tamper



304 Stainless Steel
For maximum protection against
Allen key bend and yanking
Anti-Rust, Anti-Corrosion

SUS 304, stainless steel key,
more durable

Structure



Applications

- For applications where the highest level of protection and security is required
- Suitable for military applications, train wagons, trucks, containers and heavy sliding doors
- Operates reliably in the most severe environments such as coastal locations, polluted atmospheres, and freezing conditions

Model	Body			Shackle		
	A	B	C	φ	D	E
33/35WF	20	10.8	48	6	18.6	35
33/40WF	21	15.5	55	8	19.6	40
33/50WF	21	19	60	10	23	50
33/60WF	21	21	73	12	25.8	60
33/70WF	23	30.8	88	14	31	70





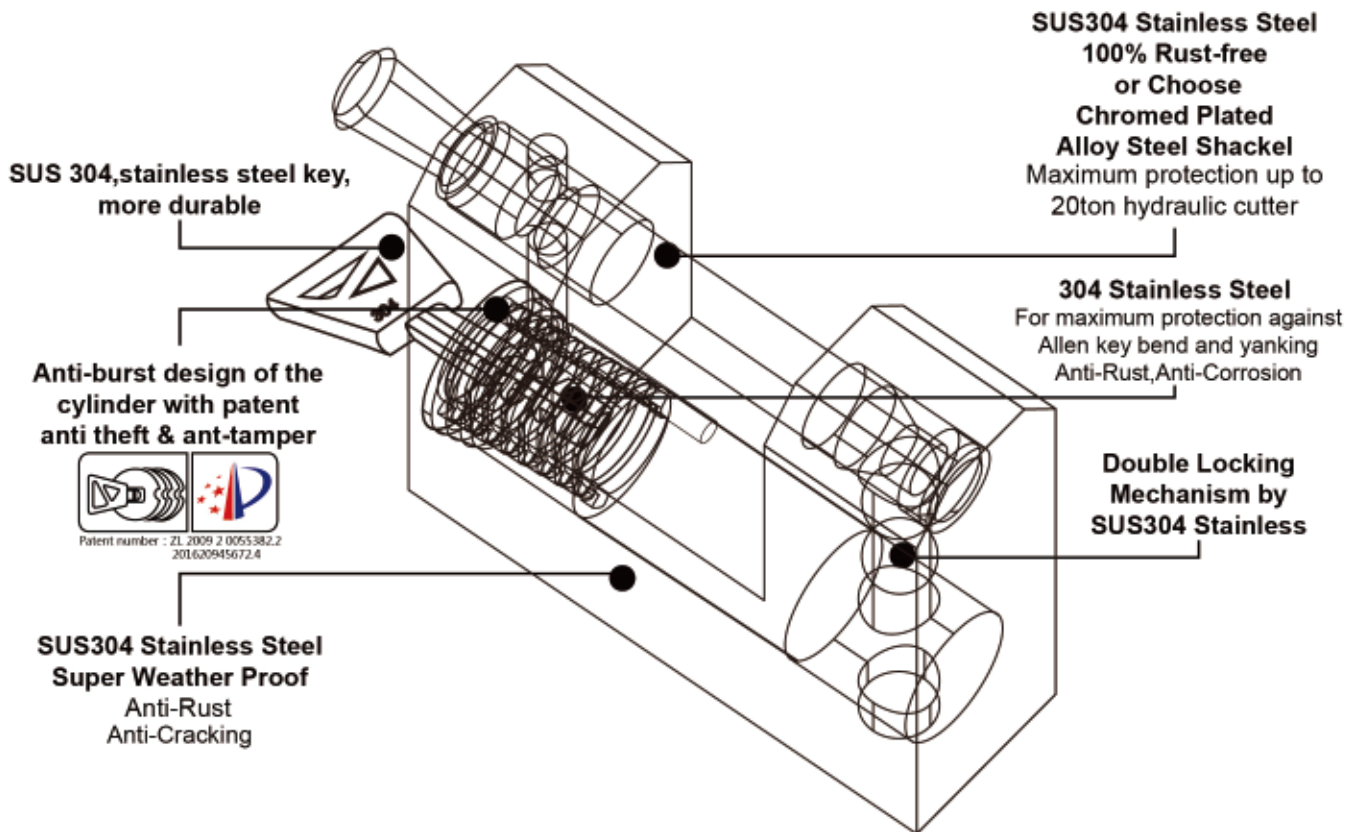
Features

- BS EN Grade 9, maximum security padlock
Steel padlock for maximum security, shackle withstands up to 21.000 ibs of pull strength
- Surface treatment applied using our unique superior protection against corrosion
Finish : Mirror polish, strip polish
- Does not contain parts such as springs or pins that can jam
- Equipped with a case hardened boron steel shackle

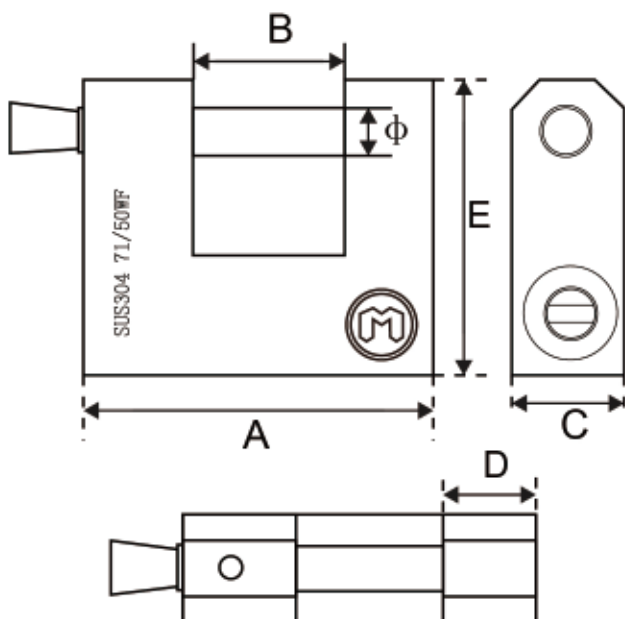


Need technical help ? www.moklock.com





Structure



Applications

- For applications where the highest level of protection and security is required
- Suitable for military applications, train wagons, trucks, containers and heavy sliding doors
- Operates reliably in the most severe environments such as coastal locations, polluted atmospheres, and freezing conditions

Model	Body			Shackle		
	A	B	C	ϕ	D	E
71/50WF	50	23	20	8	15	41
71/60WF	60	25	20	9	16	50
71/70WF	70	30	20	10	18	53
71/80WF	80	32	20	11	20	55





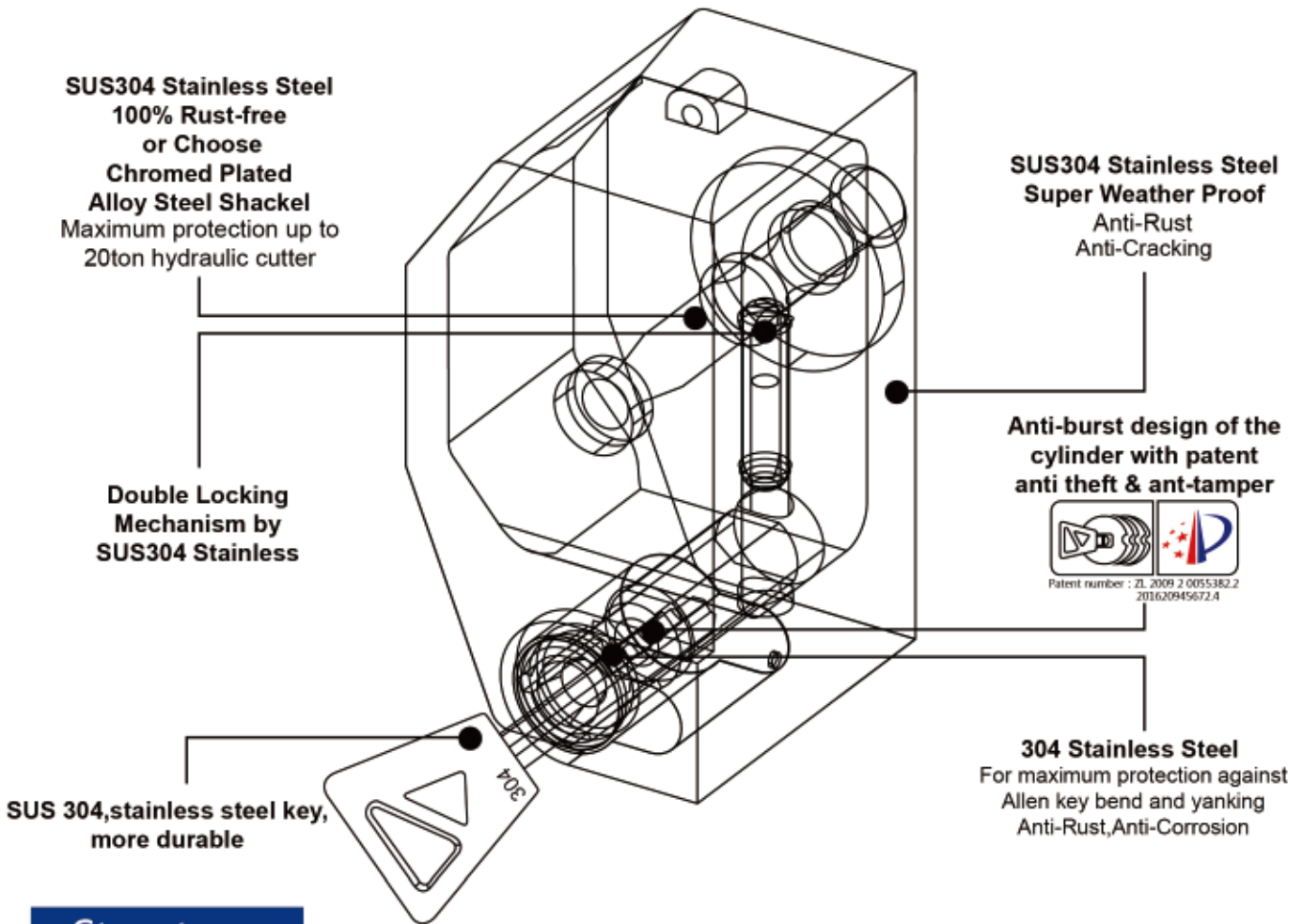
Features

- BS EN Grade 9, maximum security padlock
Steel padlock for maximum security, shackle withstands up to 21.000 ibs of pull strength
- Surface treatment applied using our unique superior protection against corrosion
Finish : Mirror polish, strip polish
- Does not contain parts such as springs or pins that can jam
- Equipped with a case hardened boron steel shackle



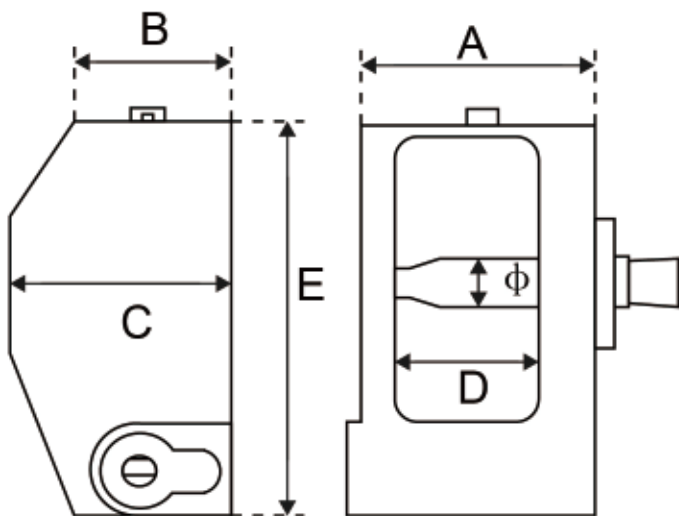
Need technical help ? www.moklock.com





Structure

Applications



- For applications where the highest level of protection and security is required
- Suitable for military applications, train wagons, trucks, containers and heavy sliding doors
- Operates reliably in the most severe environments such as coastal locations, polluted atmospheres, and freezing conditions

Model	Body			Shackle		
	A	B	C	ϕ	D	E
78/50WF	50	30	48	12	30.5	86





SUS304 78/50DP

Page 17 of 18

Features

- BS EN Grade 9, maximum security padlock
Steel padlock for maximum security, shackle withstands up to 21.000 ibs of pull strength
- Surface treatment applied using our unique superior protection against corrosion
Finish : Mirror polish, strip polish
- Does not contain parts such as springs or pins that can jam
- Equipped with a case hardened boron steel shackle



Need technical help ? www.moklock.com





SUS304 Stainless Steel
100% Rust-free
or Choose
Chromed Plated
Alloy Steel Shackle

Maximum protection up to
20ton hydraulic cutter

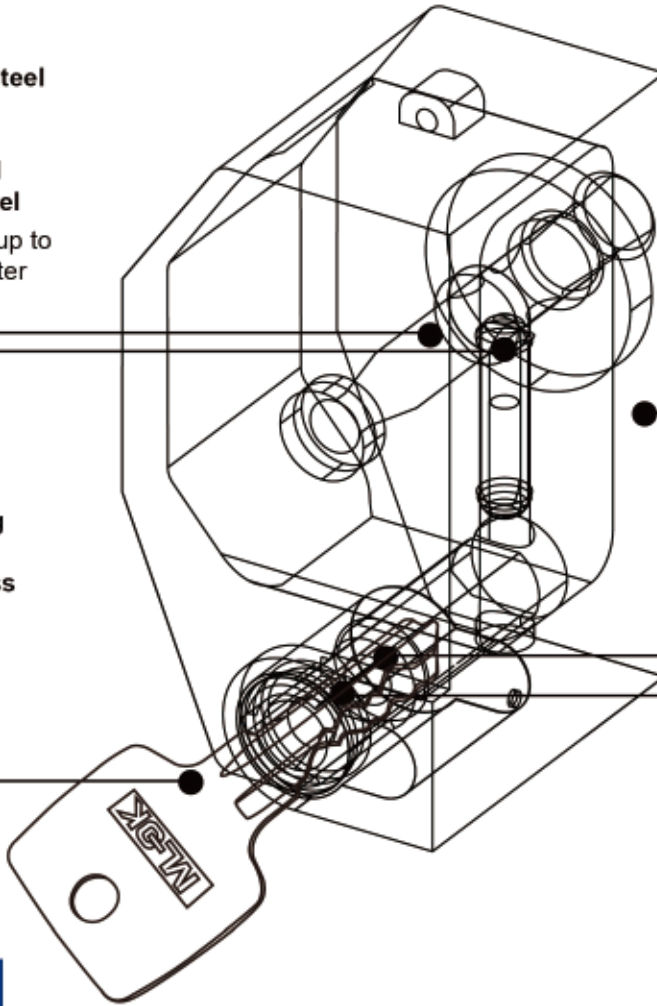
Double Locking
Mechanism by
SUS304 Stainless

Brass key,
more durable

SUS304 Stainless Steel
Super Weather Proof
Anti-Rust
Anti-Cracking

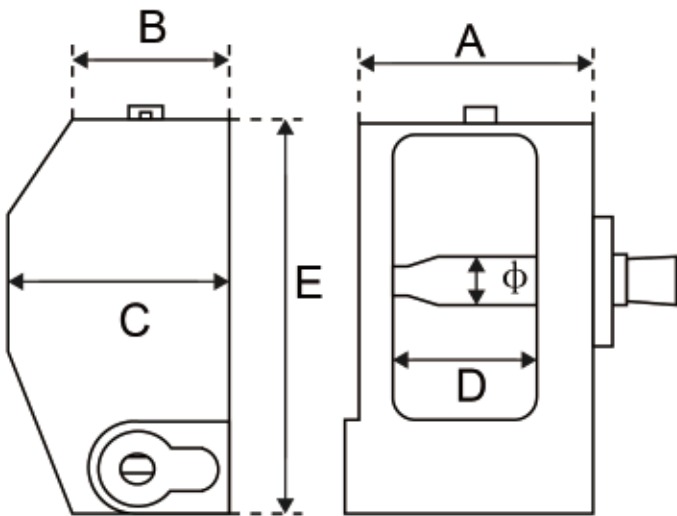
High precision to pin
tumbler cylinder
super S class,
anti theft & ant-tamper

High precision reversible
keyway with up to 150,000
key differs



Structure

Applications



- For applications where the highest level of protection and security is required
- Suitable for military applications, train wagons, trucks, containers and heavy sliding doors
- Operates reliably in the most severe environments such as coastal locations, polluted atmospheres, and freezing conditions

Model	Body			Shackle		
	A	B	C	φ	D	E
78/50DP	50	30	48	12	30.5	86





WHY IS MOK® SUPER WEATHER PROOF THE WORLD'S BEST PADLOCKS?

27/40WF-P 27/50WF-P

28/40WF-P 28/50WF-P

Technology

- The right material, design and production methods make MOKLock a better choice in harsh conditions
- Shackle an body made from 304 stainless steel, highly corrosion resistance due to surface protection
- Pin tumbler cylinder.(self-locking and easy to open)
- Double shackle locking, both sides of the shackle are secured by 304 stainless steel balls
- 4 Tons pull resistant due to the best quality materials and design

Variants

- Size: 40, 50 MM
- Shackle: short shackle: 27/40WF-P long shackle: 28/40WF-P
27/50WF-P 28/50WF-P





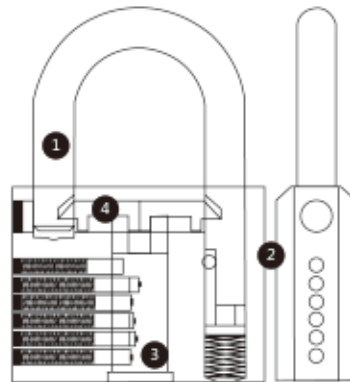
WHY IS MOK[®] SUPER WEATHER PROOF THE WORLD'S BEST PADLOCKS?



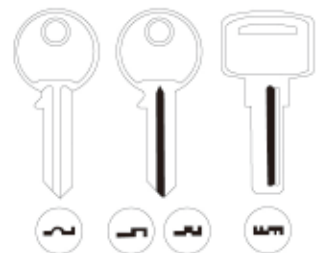
PADLOCK SECURITY

27/40WF-P 27/50WF-P
28/40WF-P 28/50WF-P

Product specifications:



■ keyways



Noted :

- 1 Shackle made from SUS304 100% Rust-free 100% Non-corrosive
- 2 Body made from SUS304 (Processing by high-precision) High rust and high corrosion resistance. Finished: wire drawing
- 3 High precision to pin tumbler cylinder. High precision reversible keyway with up to 150,000 key differs.
- 4 Self-locking: locked automatically by pushing down the shackle. No key needed for locking



Anti-rust Double Self Keyed alike Master keyed bolted locking

Model							weight/kg (with 3 keys)
	mm	mm	mm	mm	mm	mm	
27/40WF-P	40	27.5	19.5	7	20.5	61.5	0.18
27/50WF-P	50	29.5	19.5	10	23	77.5	0.30
28/40WF-P	40	46	19.5	7	20.5	80	
28/50WF-P	50	52	19.5	10	23	100	

Level	Quantity Boxed	Quantity Carded	Locking elements
9	50	48	6
9	50	36	6
9	50	48	6
9	50	36	6

